

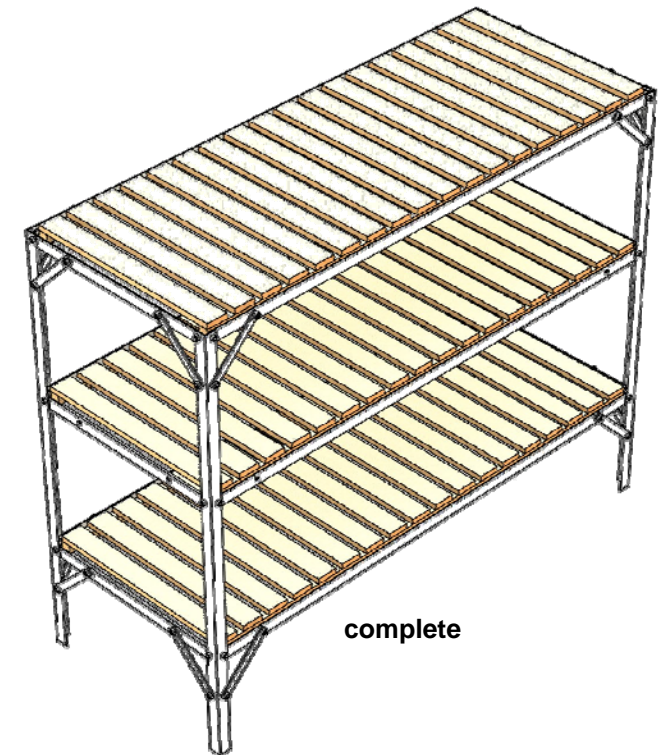
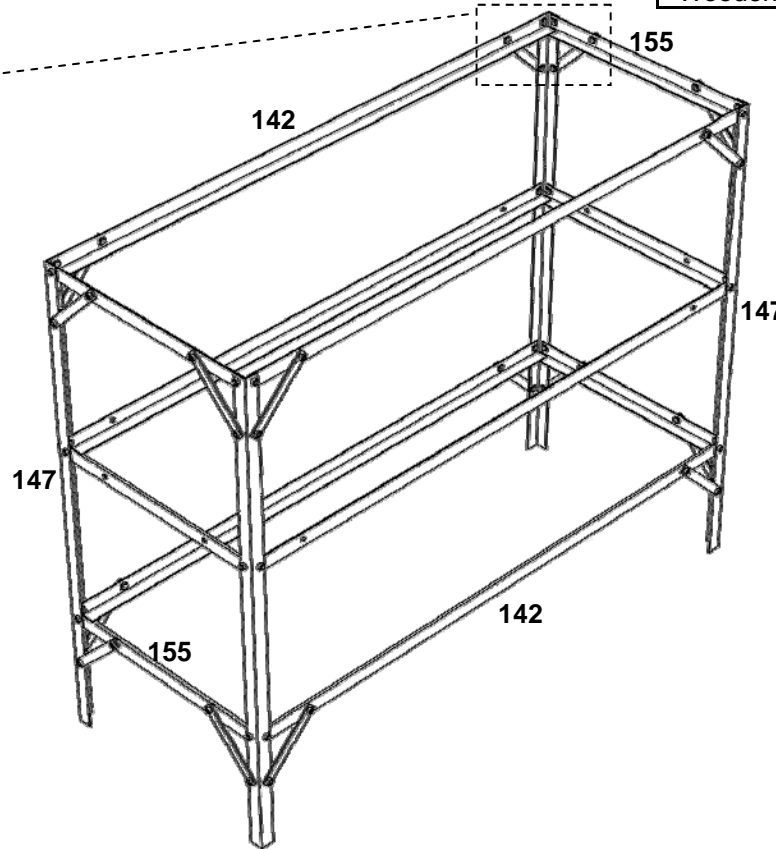
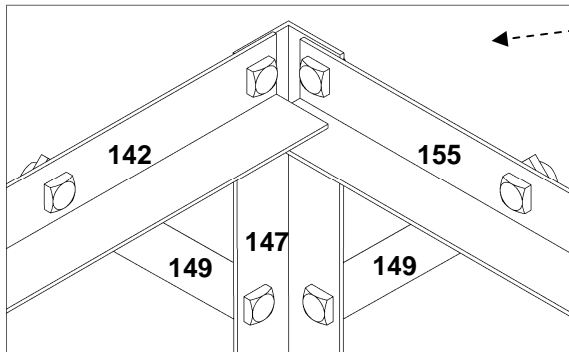
18" Caverswall Castle Wooden Slatted Staging 1135mm x 457mm (45" x 18")

3

A No. 10 spanner and a hammer are required to assemble the staging.

1. Note that the horizontal surfaces of all the rails should be on the bottom to create a 'shelf / lip' for the wooden shelf to fit onto, see diagrams.
2. Leaving the nuts finger tight only, bolt three Side Rails (155) to one of the Legs (147). Then bolt another Leg to the other end of these Side Rails. Repeat to make the other side section.
3. Join these two end sections with the Front / Rear Rails (142).
4. Now bolt a pair of Corner Braces to each of the top four corners, and a pair to the four corners of the lower shelf. Ensure the frame is square then tighten all the nuts.
5. To make the shelves, nail one slat to a batten flush with the ends and sides of the slat. Nail the other end of the slat to another batten. Using a gap of roughly 19mm (two wooden spacers supplied), position another slat adjacent to the first and nail into the battens. Continue to the end of the battens and repeat to make up the shelf for the other tier/s. Please consider that your wooden slats can vary slightly in width so ensure that you adapt the spacings accordingly.

Parts List			
Part Name	Part No	Size	Quantity
Legs	147	920mm (36")	4
Front / Rear Rails	142	1112mm (44")	6
Side Rails	155	434mm (17")	6
Corner Brace	149	146mm (6")	16
Timber Slats	systasla425	425mm (17")	54
Timber Battens	systabat1094	1094mm (43")	6
Aluminium nuts & bolts	---	6mm x 11mm	56
Nails	---	25mm (1")	108
Wooden Spacer	---	---	2



3 Tier
18"
Large