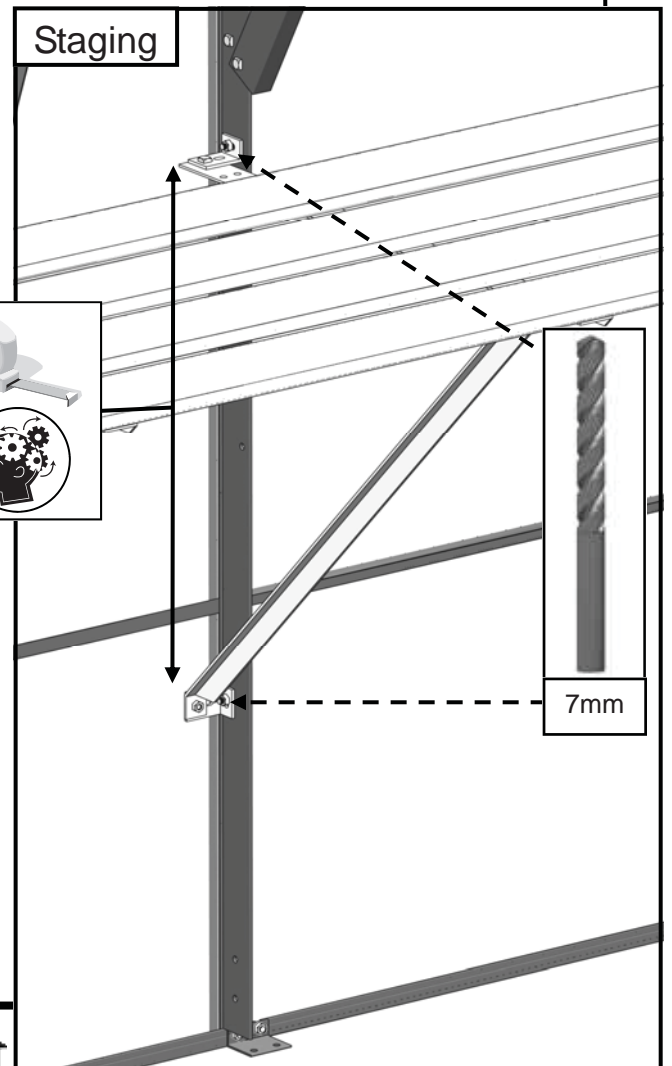
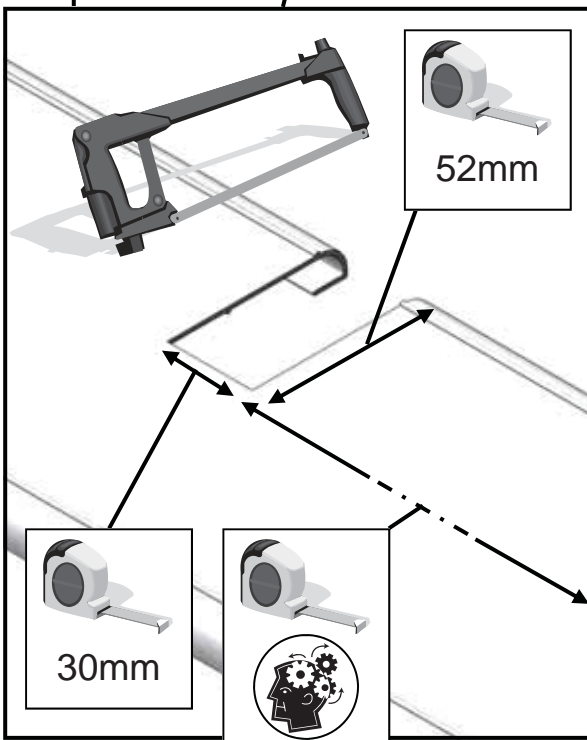
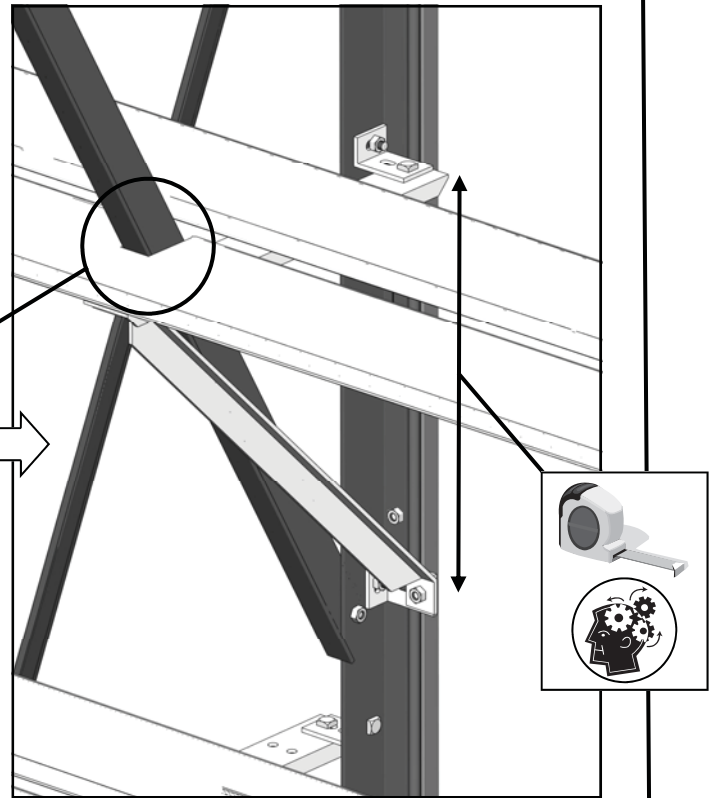
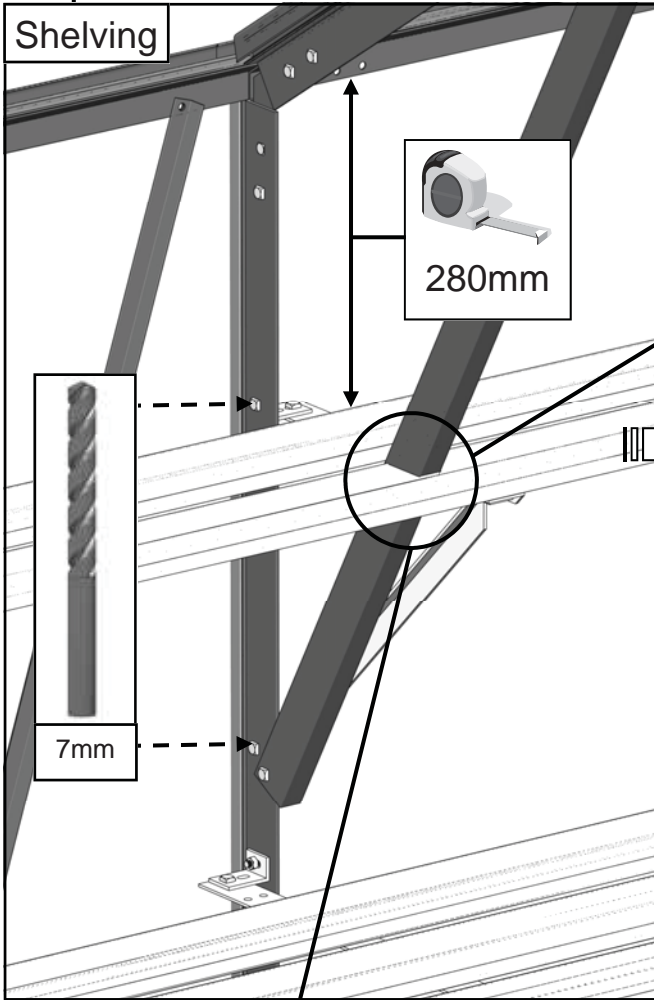




Fitting around an A-frame



Fitting around a partition

